



EAST ELEVATION



NORTH ELEVATION



WEST ELEVATION



SOUTH ELEVATION



PRELIMINARY ELEVATIONS
Mesa, AZ

7-18-16 Revised: 5-25-17
6-30-17

File Name: 15-265 Color Elevations_5-5-17

Note:
All roof top mechanical equipment shall be located in equipment well and screened from view by parapet walls.

COLOR AND MATERIAL LEGEND

- [STC-1] Paint - Sherwin Williams - #SW7541 "Grecian Ivory"
- [STC-2] Paint - Sherwin Williams - #SW7549 "Studio Taupe"
- [STC-3] Paint - Sherwin Williams - # SW7068 "Grizzle Gray"
- [A-1] Aluminum Awning - Color " Mathews Dark Bronze"
- [STN-1] Stone Veneer - Coronado Stone Pro-Ledge "Crossroad"
- [PC-1] Glass Fiber Reinforced Concrete - Color "Sandlewood"



C · R · H · O

Architecture Interiors Planning

195 South "C" Street Suite 200

Tustin, California 92780

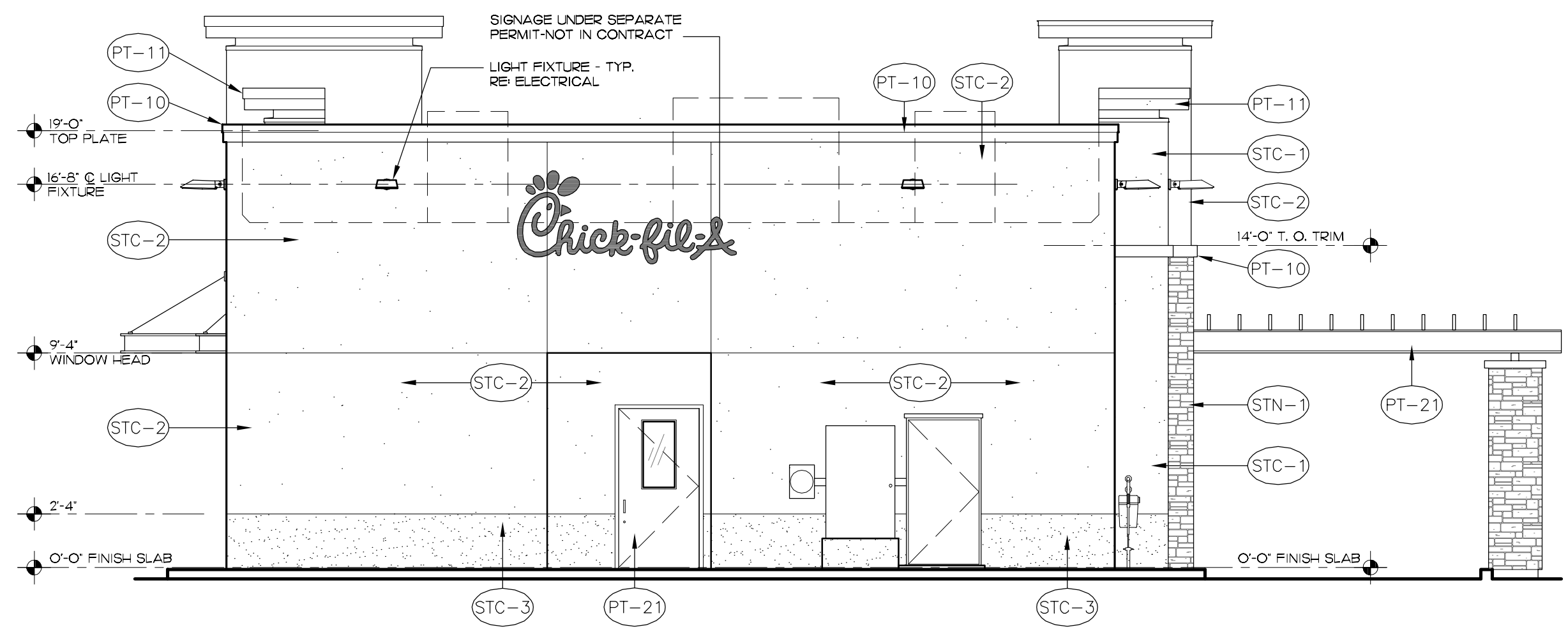
714 832 1834

FAX 714 832 1910

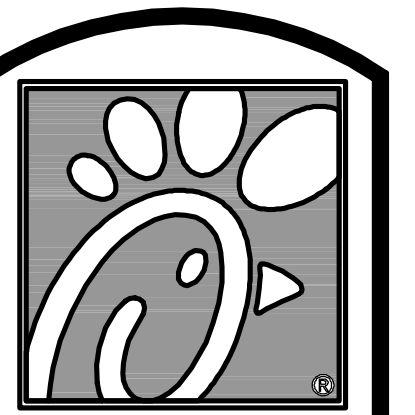
EXTERIOR FINISHES - FOR STOREFRONT GLAZING - SEE GLASS SCHEDULE & INTERIOR ELEVATIONS					
PT-10	EXTERIOR PAINT REFUSE ENCLOSURE SHERWIN WILLIAMS - #SW7549 "STUDIO TAUPE", FLAT FINISH	STC-1	STUCCO #1 TO MATCH SHERWIN WILLIAM #SW 7541 "GRECIAN IVORY"	A-1	ALUMINUM AWNING - COVERED PRE-FIN. COLOR - MATTHEWS DARK BRONZE SIZE - 8'-0" LENGTH x 4'-6" DEPTH
PT-11	PAINT #11 SHERWIN WILLIAMS - #SW 7541 "GRECIAN IVORY", FLAT FINISH	STC-2	STUCCO #2 TO MATCH SHERWIN WILLIAMS #SW 7549 "STUDIO TAUPE"	A-2	ALUMINUM AWNING - LOUVERED PRE-FIN. COLOR - MATTHEWS DARK BRONZE SIZE - 23'-7" LENGTH x 3'-0" DEPTH
PT-12	PAINT #12 SHERWIN WILLIAMS - #SW7068 "GRIZZLE GRAY", FLAT FINISH	STC-3	STUCCO #3 TO MATCH SHERWIN WILLIAMS #SW 7068 "GRIZZLE GRAY"	A-3	ALUMINUM AWNING - LOUVERED PRE-FIN. COLOR - MATTHEWS DARK BRONZE SIZE - 9'-1" LENGTH x 3'-0" DEPTH
PT-21	EXTERIOR PAINT FOR METAL SHERWIN WILLIAMS - PRO INDUSTRIAL ACRYLIC - #SW 6258 "TRICORN BLACK", EGG SHELL FINISH	STN-1	STONE VENEER CORONADO STONE PRO-LEDGE "CROSSROADS"	A-4	ALUMINUM AWNING - COVERED PRE-FIN. COLOR - MATTHEWS DARK BRONZE SIZE - 46'-1" LENGTH x 4'-6" DEPTH
ST-1	STOREFRONT KAWNEER. RE. 2A1.2 COLOR - DARK BRONZE ANODIZE	PC-1	GLASS FIBER REINFORCED CONCRETE (GFRC) 365 PRECAST COLOR: SANDLEWOOD, TEXTURE: FINE FINISH RE: 2/A-1.2	A-5	ALUMINUM AWNING - LOUVERED PRE-FIN. COLOR - MATTHEWS DARK BRONZE SIZE - 34'-10" LENGTH x 3'-0" DEPTH



I EAST ELEVATION
3/16" = 1'-0"



2 WEST ELEVATION
3/16" = 1'-0"



Chick-fil-A

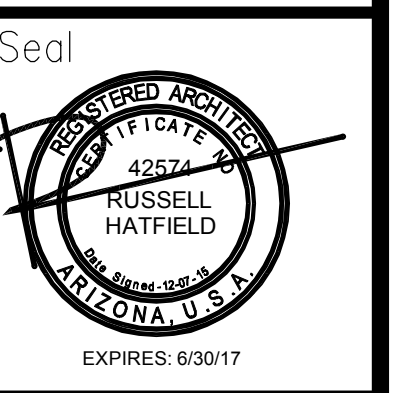
5200 Buffington Rd.
Atlanta Georgia,
30349-2998

Revisions:

Mark Date By
△ _____

Mark Date By
△ _____

Mark Date By
△ _____



C · R · H · O
Architecture Interior Planning
195 South "C" Street 200
Tustin, California 92780
714 832-1834
FAX 832-1910

STORE
POWER & MCKELLIPS

6707 E MCKELLIPS
RD.
MESA, AZ

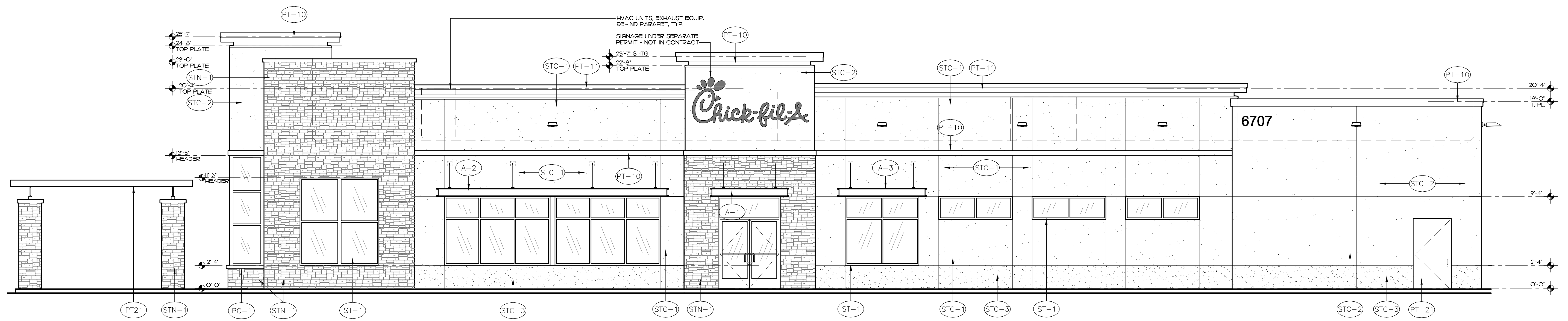
SHEET TITLE
EXTERIOR
ELEVATIONS

VERSION: H-V6
ISSUE DATE: 12-2015

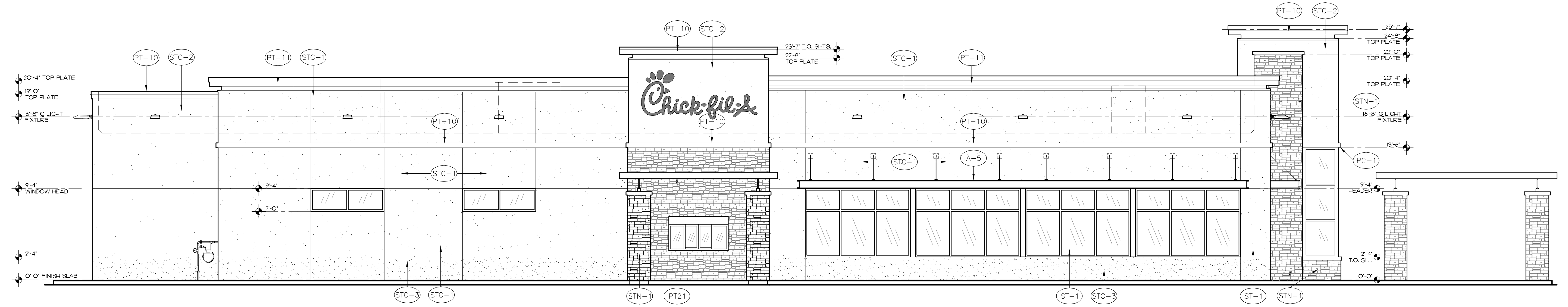
Job No. : 15-265
Store : 03848
Date : 06-01-17
Drawn By :
Checked By : R.H.

Sheet
A-2.I

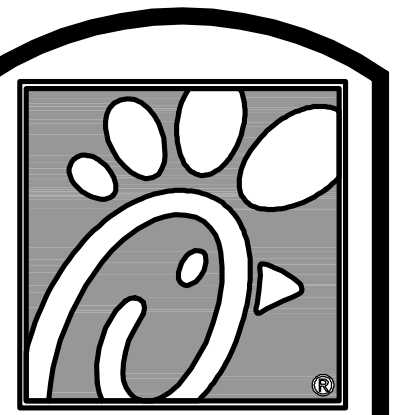
EXTERIOR FINISHES - FOR STOREFRONT GLAZING - SEE GLASS SCHEDULE & INTERIOR ELEVATIONS					
PT-10	EXTERIOR PAINT REFUSE ENCLOSURE SHERWIN WILLIAMS - #SW7549 "STUDIO TAUPE", FLAT FINISH	STC-1	STUCCO #1 TO MATCH SHERWIN WILLIAM #SW 7541 "GRECIAN IVORY"	A-1	ALUMINUM AWNING - COVERED PRE-FIN. COLOR - MATTHEWS DARK BRONZE SIZE - 8'-0" LENGTH x 4'-6" DEPTH
PT-11	PAINT #11 SHERWIN WILLIAMS - #SW 7541 "GRECIAN IVORY", FLAT FINISH	STC-2	STUCCO #2 TO MATCH SHERWIN WILLIAMS #SW 7549 "STUDIO TAUPE"	A-2	ALUMINUM AWNING - LOUVERED PRE-FIN. COLOR - MATTHEWS DARK BRONZE SIZE - 23'-7" LENGTH x 3'-0" DEPTH
PT-12	PAINT #12 SHERWIN WILLIAMS - #SW7068 "GRIZZLE GRAY", FLAT FINISH	STC-3	STUCCO #3 TO MATCH SHERWIN WILLIAMS #SW 7068 "GRIZZLE GRAY"	A-3	ALUMINUM AWNING - LOUVERED PRE-FIN. COLOR - MATTHEWS DARK BRONZE SIZE - 9'-1" LENGTH x 3'-0" DEPTH
PT-21	EXTERIOR PAINT FOR METAL SHERWIN WILLIAMS - PRO INDUSTRIAL ACRYLIC - #SW 6258 "TRICORN BLACK", EGG SHELL FINISH	STN-1	STONE VENEER CORONADO STONE PRO-LEDGE "CROSSROADS"	A-4	ALUMINUM AWNING - COVERED PRE-FIN. COLOR - MATTHEWS DARK BRONZE SIZE - 46'-1" LENGTH x 4'-6" DEPTH
ST-1	STOREFRONT KAWNEER. RE: 2A1.2 COLOR - DARK BRONZE ANODIZE	PC-1	GLASS FIBER REINFORCED CONCRETE (GFRC) 365 PRECAST COLOR: SANDEWOOD, TEXTURE: FINE FINISH RE: 2 / A-1.2	A-5	ALUMINUM AWNING - LOUVERED PRE-FIN. COLOR - MATTHEWS DARK BRONZE SIZE - 34'-10" LENGTH x 3'-0" DEPTH



1 NORTH ELEVATION
3/16" = 1'-0"



2 SOUTH ELEVATION
3/16" = 1'-0"



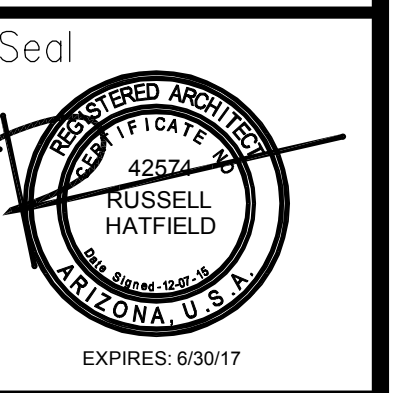
Chick-fil-A

5200 Buffington Rd.
Atlanta Georgia,
30349-2998

Revisions:
Mark Date By
△ 05-12-2017

Mark Date By
△

Mark Date By
△



C · R · H · O
Architecture Interior Planning
195 South "C" Street 200
Tustin, California 92780
714 832-1834
FAX 832-1910

STORE
POWER & MCKELLIPS

6707 E MCKELLIPS
RD.
MESA, AZ

SHEET TITLE
EXTERIOR
ELEVATIONS

VERSION: H-V6
ISSUE DATE: 12-2015

Job No. : 15-265
Store : 03848
Date : 05-01-17
Drawn By :
Checked By :

Sheet

A-2.2



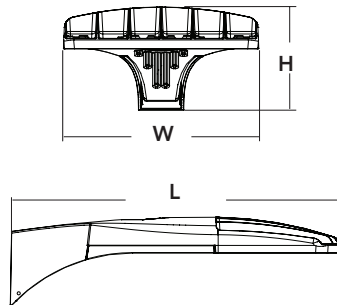
D-Series Size 0 LED Area Luminaire



d#series

Specifications

EPA:	0.8 ft ² (.07 m ²)
Length:	26" (66.0 cm)
Width:	13" (33.0 cm)
Height:	7" (17.8 cm)
Weight (max):	16 lbs (7.25 kg)



Catalog Number
Notes
Type

Hit the Tab key or mouse over the page to see all interactive elements.

Introduction

The modern styling of the D-Series is striking yet unobtrusive - making a bold, progressive statement even as it blends seamlessly with its environment.

The D-Series distills the benefits of the latest in LED technology into a high performance, high efficacy, long-life luminaire. The outstanding photometric performance results in sites with excellent uniformity, greater pole spacing and lower power density. It is ideal for replacing up to 400W metal halide with typical energy savings of 65% and expected service life of over 100,000 hours.

Ordering Information

EXAMPLE: DSX0 LED 40C 1000 40K T3M MVOLT SPA DDBXD

DSX0 LED	Series	LEDs	Drive current	Color temperature	Distribution	Voltage	Mounting
	DSX0 LED	Forward optics 20C 20 LEDs (one engine) 40C 40 LEDs (two engines) Rotated optics¹ 30C 30 LEDs (one engine)	530 530 mA 700 700 mA 1000 1000 mA (1 A) ²	30K 3000 K 40K 4000 K 50K 5000 K AMBPC Amber phosphor converted ³	T1S Type I short T2S Type II short T2M Type II medium T3S Type III short T3M Type III medium T4M Type IV medium TFTM Forward throw medium T5VS Type V very short T5S Type V short T5M Type V medium T5W Type V wide	MVOLT ⁴ 120 ⁴ 208 ⁴ 240 ⁴ 277 ⁴ 347 ⁵ 480 ⁵	Shipped included SPA Square pole mounting RPA Round pole mounting WBA Wall bracket SPUMBA Square pole universal mounting adaptor ⁶ RPUMBA Round pole universal mounting adaptor ⁶ Shipped separately⁷ KMA8 DDBXD U Mast arm mounting bracket adaptor (specify finish)

Control options	Other options	Finish (required)
Shipped installed PER NEMA twist-lock receptacle only (no controls) ⁸ PER5 Five-wire receptacle only (no controls) ^{8,9} PER7 Seven-wire receptacle only (no controls) ^{8,9} DMG 0-10V dimming driver (no controls) ¹⁰ DCR Dimmable and controllable via ROAM [®] (no controls) ¹¹ PIR Motion/ambient sensor, 8-15' mounting height, ambient sensor enabled at 5fc ¹² PIRH Motion/ambient sensor, 15-30' mounting height, ambient sensor enabled at 5fc ¹²	Shipped installed HS House-side shield ¹⁶ SF Single fuse (120, 277, 347V) ¹⁷ DF Double fuse (208, 240, 480V) ¹⁷ L90 Left rotated optics ¹ R90 Right rotated optics ¹ DDL Diffused drop lens ¹⁶	DDBXD Dark bronze DBLXD Black DNAXD Natural aluminum DWHXD White DDBTXD Textured dark bronze DBLTXD Textured black DNATXD Textured natural aluminum DWHGXD Textured white

Accessories	
Ordered and shipped separately.	
DLL127F 1.5 JU	Photocell - SSL twist-lock (120-277V) ¹⁸
DLL347F 1.5 CUL JU	Photocell - SSL twist-lock (347V) ¹⁸
DLL480F 1.5 CUL JU	Photocell - SSL twist-lock (480V) ¹⁸
SC U	Shorting cap ¹⁸
DSX0HS 20C U	House-side shield for 20 LED unit ¹⁶
DSX0HS 30C U	House-side shield for 30 LED unit ¹⁶
DSX0HS 40C U	House-side shield for 40 LED unit ¹⁶
DSX0DDL U	Diffused drop lens (polycarbonate) ¹⁶
PUMBA DDBXD U*	Square and round pole universal mounting bracket adaptor (specify finish) ⁷
KMA8 DDBXD U	Mast arm mounting bracket adaptor (specify finish) ⁷

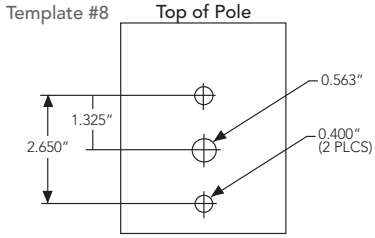
NOTES

- 30 LEDs (30C option) and rotated options (L90 or R90) only available together.
- 1000mA not available with AMBPC.
- AMBPC only available with 530mA or 700mA.
- MVOLT driver operates on any line voltage from 120-277V (50/60 Hz). Specify 120V, 208V, 240V or 277V options only when ordering with fusing (SF, DF options).
- Not available with single board, 530mA product (20C 530 or 30C 530). Not available with BL30, BL50 or PNMT options.
- Available as a separate combination accessory: PUMBA (finish) U; 1.5 G vibration load rating per ANCI C136.31.
- Must be ordered as a separate accessory; see Accessories information. For use with 2-3/8" mast arm (not included).
- Photocell ordered and shipped as a separate line item from Acuity Brands Controls. See accessories.
- If ROAM[®] node required, it must be ordered and shipped as a separate line item from Acuity Brands Controls. Not available with DCR.
- DMG option for 347V or 480V requires 1000mA.

- Specifies a ROAM[®] enabled luminaire with 0-10V dimming capability; PER option required. Additional hardware and services required for ROAM[®] deployment; must be purchased separately. Call 1-800-442-6745 or email: sales@roamservices.net. N/A with PER5, PER7, BL30, BL50 or PNMT options.
- PIR and PIR1FC3V specify the SensorSwitch SBGR-10-ODP control; PIRH and PIRH1FC3V specify the SensorSwitch SBGR-6-ODP control; see Motion Sensor Guide for details. Dimming driver standard. Not available with PER5 or PER7. Ambient sensor disabled when ordered with DCR. Separate on/off required.
- Requires an additional switched circuit.
- Dimming driver standard. MVOLT only. Not available with 347V, 480V, DCR, PER5, PER7 or PNMT options.
- Dimming driver standard. MVOLT only. Not available with 347V, 480V, DCR, PER5, PER7, BL30 or BL50.
- Also available as a separate accessory; see Accessories information.
- Single fuse (SF) requires 120V, 277V or 347V. Double fuse (DF) requires 208V, 240V or 480V.
- Requires luminaire to be specified with PER option. Ordered and shipped as a separate line item from Acuity Brands Controls.



Drilling



DSXO shares a unique drilling pattern with the AERIS™ family. Specify this drilling pattern when specifying poles, per the table below.

DM19AS	Single unit	DM29AS	2 at 90° *
DM28AS	2 at 180°	DM39AS	3 at 90° *
DM49AS	4 at 90° *	DM32AS	3 at 120° **

Example: SSA 20 4C DM19AS DDBXD

Visit Lithonia Lighting's **POLES CENTRAL** to see our wide selection of poles, accessories and educational tools.

*Round pole top must be 3.25" O.D. minimum.

**For round pole mounting (RPA) only.

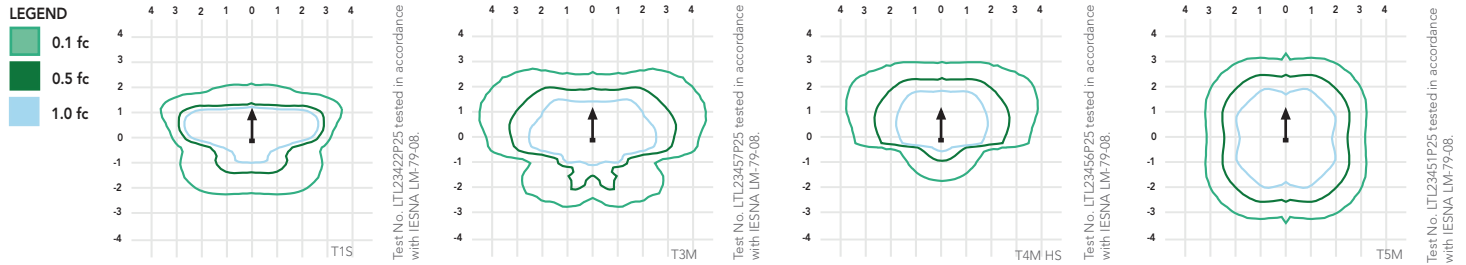
Tenon Mounting Slipfitter**

Tenon O.D.	Single Unit	2 at 180°	2 at 90°	3 at 120°	3 at 90°	4 at 90°
2-3/8"	AST20-190	AST20-280	AST20-290	AST20-320	AST20-390	AST20-490
2-7/8"	AST25-190	AST25-280	AST25-290	AST25-320	AST25-390	AST25-490
4"	AST35-190	AST35-280	AST35-290	AST35-320	AST35-390	AST35-490

Photometric Diagrams

To see complete photometric reports or download .ies files for this product, visit Lithonia Lighting's [D-Series Area homepage](#).

Isofootcandle plots for the DSXO LED 40C 1000 40K. Distances are in units of mounting height (20').



Performance Data

Lumen Ambient Temperature (LAT) Multipliers

Use these factors to determine relative lumen output for average ambient temperatures from 0-40°C (32-104°F).

Ambient		Lumen Multiplier
0°C	32°F	1.02
10°C	50°F	1.01
20°C	68°F	1.00
25°C	77°F	1.00
30°C	86°F	1.00
40°C	104°F	0.99

Electrical Load

Number of LEDs	Drive Current (mA)	System Watts	Current (A)					
			120	208	240	277	347	480
20C	530	35	0.34	0.22	0.21	0.20	--	--
	700	45	0.47	0.28	0.24	0.22	0.18	0.14
	1000	72	0.76	0.45	0.39	0.36	0.36	0.26
30C	530	52	0.51	0.31	0.28	0.25	--	--
	700	70	0.72	0.43	0.37	0.34	0.25	0.19
	1000	104	1.11	0.64	0.56	0.49	0.47	0.34
40C	530	68	0.71	0.41	0.36	0.33	0.25	0.19
	700	91	0.94	0.55	0.48	0.42	0.33	0.24
	1000	138	1.45	0.84	0.73	0.64	0.69	0.50

Projected LED Lumen Maintenance

Data references the extrapolated performance projections for the platforms noted in a **25°C ambient**, based on 10,000 hours of LED testing (tested per IESNA LM-80-08 and projected per IESNA TM-21-11).

To calculate LLF, use the lumen maintenance factor that corresponds to the desired number of operating hours below. For other lumen maintenance values, contact factory.

Operating Hours	0	25,000	50,000	100,000
Lumen Maintenance Factor	DSXO LED 20C 1000			
	1	0.98	0.96	0.93
	DSXO LED 40C 1000			
	1	0.98	0.95	0.90
	DSXO LED 40C 700			
	1	0.99	0.99	0.99

Performance Data

L90 and R90 Rotated Optics

LEDs	Drive Current (mA)	System Watts	Dist. Type	30K (3000 K, 70 CRI)					40K (4000 K, 70 CRI)					50K (5000 K, 70 CRI)					AMBPC (Amber Phosphor Converted)																								
				Lumens	B	U	G	LPW	Lumens	B	U	G	LPW	Lumens	B	U	G	LPW	Lumens	B	U	G	LPW																				
				30C (30 LEDs)																					520 mA / 52 W		T1S	6,130	2	0	2	118	6,583	2	0	2	127	6,624	2	0	2	127	3,841
T2S	6,321	2	0																								2	122	6,787	2	0	2	131	6,830	3	0	3	131	3,912	2	0	2	75
T2M	6,176	2	0																								2	119	6,632	3	0	3	128	6,673	3	0	3	128	3,837	2	0	2	74
T3S	6,168	2	0																								2	119	6,624	3	0	3	127	6,665	3	0	3	128	3,866	2	0	2	74
T3M	6,224	3	0																								3	120	6,684	3	0	3	129	6,726	3	0	3	129	3,904	2	0	2	75
T4M	6,309	3	0																								3	121	6,775	3	0	3	130	6,817	3	0	3	131	3,884	2	0	2	75
TFTM	6,215	3	0																								3	120	6,673	3	0	3	128	6,715	3	0	3	129	3,839	2	0	2	74
TSVS	6,565	2	0																								0	126	7,050	2	0	0	136	7,094	2	0	0	136	4,005	2	0	0	77
T5S	6,613	2	0																								0	127	7,102	2	0	0	137	7,146	2	0	0	137	4,065	2	0	0	78
T5M	6,625	3	0																								1	127	7,114	3	0	1	137	7,159	3	0	1	138	4,017	2	0	1	77
TSW	6,528	3	0																						1	126	7,010	3	0	2	135	7,054	3	0	2	136	4,025	3	0	1	77		
700 mA / 70 W		T1S	7,786																						2	0	2	111	8,361	3	0	3	119	8,413	3	0	3	120	4,783	2	0	2	68
		T2S	8,028																						2	0	2	115	8,620	3	0	3	123	8,674	3	0	3	124	4,873	2	0	2	70
		T2M	7,844																						3	0	3	112	8,423	3	0	3	120	8,476	3	0	3	121	4,779	2	0	2	68
		T3S	7,834																						3	0	3	112	8,413	3	0	3	120	8,465	3	0	3	121	4,815	2	0	2	69
		T3M	7,905																						3	0	3	113	8,489	3	0	3	121	8,542	3	0	3	122	4,862	3	0	3	69
		T4M	8,013																						3	0	3	114	8,604	3	0	3	123	8,658	3	0	3	124	4,837	3	0	3	69
		TFTM	7,893																						3	0	3	113	8,476	3	0	3	121	8,529	3	0	3	122	4,781	3	0	3	68
		TSVS	8,338																						2	0	0	119	8,954	3	0	0	128	9,010	3	0	0	129	4,988	2	0	0	71
		T5S	8,400																						2	0	0	120	9,020	3	0	1	129	9,076	3	0	1	130	5,063	2	0	0	72
		T5M	8,414																						3	0	1	120	9,036	3	0	2	129	9,092	3	0	2	130	5,003	3	0	1	71
TSW	8,291	3	0																						2	118	8,903	3	0	2	127	8,959	3	0	2	128	5,013	3	0	1	72		
1000 mA / 104 W		T1S	10,648																						3	0	3	102	11,434	3	0	3	110	11,506	3	0	3	111					
		T2S	10,979																						3	0	3	106	11,789	3	0	3	113	11,863	3	0	3	114					
		T2M	10,727																						3	0	3	103	11,519	3	0	3	111	11,591	3	0	3	111					
		T3S	10,714																						3	0	3	103	11,505	3	0	3	111	11,577	3	0	3	111					
		T3M	10,812																						3	0	3	104	11,610	4	0	4	112	11,682	4	0	4	112					
		T4M	10,958																						3	0	3	105	11,767	3	0	3	113	11,841	3	0	3	114					
		TFTM	10,795																						3	0	3	104	11,592	3	0	3	111	11,664	4	0	4	112					
		TSVS	11,404																						3	0	0	110	12,245	3	0	1	118	12,322	3	0	1	118					
		T5S	11,487	3	0	1	110	12,336	3	0	1	119	12,413	3	0	1	119																										
		T5M	11,508	3	0	2	111	12,357	4	0	2	119	12,434	4	0	2	120																										
TSW	11,339	4	0	2	109	12,176	4	0	2	117	12,252	4	0	2	118																												

FEATURES & SPECIFICATIONS

INTENDED USE

The sleek design of the D-Series Size 0 reflects the embedded high performance LED technology. It is ideal for many commercial and municipal applications, such as parking lots, plazas, campuses, and streetscapes.

CONSTRUCTION

Single-piece die-cast aluminum housing has integral heat sink fins to optimize thermal management through conductive and convective cooling. Modular design allows for ease of maintenance and future light engine upgrades. The LED driver is mounted in direct contact with the casting to promote low operating temperature and long life. Housing is completely sealed against moisture and environmental contaminants (IP65). Low EPA (0.8 ft²) for optimized pole wind loading.

FINISH

Exterior parts are protected by a zinc-infused Super Durable TGIC thermoset powder coat finish that provides superior resistance to corrosion and weathering. A tightly controlled multi-stage process ensures a minimum 3 mils thickness for a finish that can withstand extreme climate changes without cracking or peeling. Available in both textured and non-textured finishes.

OPTICS

Precision-molded proprietary acrylic lenses are engineered for superior area lighting distribution, uniformity, and pole spacing. Light engines are available in standard 4000 K (70 minimum CRI) or optional 3000 K (70 minimum CRI) or 5000 K (70 CRI) configurations. The D-Series Size 0 has zero uplight and qualifies as a Nighttime Friendly™ product, meaning it is consistent with the LEED® and Green Globes™ criteria for eliminating wasteful uplight.

ELECTRICAL

Light engine(s) configurations consist of high-efficacy LEDs mounted to metal-core circuit boards to maximize heat dissipation and promote long life (up to L96/100,000 hours at 25°C). Class 1 electronic drivers are designed to have a power factor >90%, THD <20%, and an expected life of

100,000 hours with <1% failure rate. Easily serviceable 10kV or 6kV surge protection device meets a minimum Category C Low operation (per ANSI/IEEE C62.41.2).

INSTALLATION

Included mounting block and integral arm facilitate quick and easy installation. Stainless steel bolts fasten the mounting block securely to poles and walls, enabling the D-Series Size 0 to withstand up to a 3.0 G vibration load rating per ANSI C136.31. The D-Series Size 0 utilizes the AERIS™ series pole drilling pattern. Optional terminal block, tool-less entry, and NEMA photocontrol receptacle are also available.

LISTINGS

UL Listed for wet locations. Light engines are IP66 rated; luminaire is IP65 rated. Rated for -40°C minimum ambient. U.S. Patent No. D672,492 S. International patent pending.

DesignLights Consortium® (DLC) qualified product. Not all versions of this product may be DLC qualified. Please check the DLC Qualified Products List at www.designlights.org to confirm which versions are qualified.

WARRANTY

5-year limited warranty. Complete warranty terms located at www.acuitybrands.com/CustomerResources/Terms_and_conditions.aspx

Note: Actual performance may differ as a result of end-user environment and application. All values are design or typical values, measured under laboratory conditions at 25 °C. Specifications subject to change without notice.





Date: _____ Type: _____

Firm Name: _____

Project: _____

eW Blast Powercore

2700 K, 21° frosted lens

The world's leading exterior LED wash fixture with solid white light

eW Blast Powercore is an LED lighting fixture providing a high-intensity wash of white light while consuming less energy than comparable non-LED light fixtures. Rated for outdoor use, eW Blast Powercore offers the efficiency and cost-effectiveness of Powercore technology in a rugged die-cast aluminum housing. eW Blast Powercore is ideal for applications as diverse as highlighting architectural features, general site illumination, and lighting signage and retail spaces.

- Supports new applications for white light — Long useful source life can significantly reduce or eliminate maintenance problems, allowing the use of white lighting in spaces where lamp maintenance may be impossible.

- High-intensity, energy-efficient white light — Offers high-intensity illumination at a significantly lower power draw than comparable non-LED fixtures.
- Versatile lighting options — Available in four beam angles: 10°, 21°, 36°, and 83° (no optic). Housing available in white or black.
- Dimming capability — Patented DIMand technology offers smooth dimming capability with selected commercially available reverse-phase ELV-type dimmers.

For detailed product information, please refer to the eW Blast Powercore Product Guide at www.philipscolorkinetics.com/ls/essentialwhite/ewblast/

Specifications

Due to continuous improvements and innovations, specifications may change without notice.

Item	Specification	21° frosted lens, 2700 K*
	Lumens†	1786
	Efficacy (lm / W)	38.2
	CRI	83
	Mixing Distance	6 in (152 mm) to uniform light
	Lumen Maintenance‡	70,000 hours L70 @ 25° C 37,000 hours L70 @ 50° C 90,000 hours L50 @ 25° C 68,000 hours L50 @ 50° C
Electrical	Input Voltage	100 / 120 / 240 / 277 VAC, auto-switching, 50 / 60 Hz
	Power Consumption	50 W maximum at full output, steady state
	Power Factor	.98 @ 120 VAC
Control	Dimming	Compatible with selected commercially available reverse-phase ELV-type dimmers§
Physical	Dimensions (Height x Width x Depth)	7.1 x 12.5 x 4.9 in (180 x 318 x 124 mm)
	Weight	6.4 lb (2.9 kg)
	Housing	Die-cast aluminium, white or black powder-coated finish
	Lens	Clear tempered glass (10° and 83° beam angles) Frosted tempered glass (21° and 36° beam angles)
	Fixture Connections	6 ft (1.8 m) unified power / data cable
	Temperature Ranges	-40° – 122° F (-40° – 50° C) Operating -4° – 122° F (-20° – 50° C) Startup -40° – 176° F (-40° – 80° C) Storage
	Fixture Run Lengths	To calculate fixture run lengths and total power consumption for your specific installation, download the Configuration Calculator from www.philipscolorkinetics.com/support/install_tool/
Certification and Safety	Humidity	0 – 95%, non-condensing
	Certification	UL / cUL, FCC Class B, CE
	Environment	Dry / Damp / Wet Location, IP66

* Correlated color temperature (CCT) complies with ANSI C78.377-2008 for the chromaticity of solid state lighting products.

† Lumen measurement complies with IES LM-79-08 testing procedures.

‡ L70 = 70% lumen maintenance (when light output drops below 70% of initial output). L50 = 50% lumen maintenance (when light output drops below 50% of initial output). Ambient luminaire temperatures specified. Lumen maintenance calculations are based on lifetime prediction graphs supplied by LED source manufacturers. Calculations for white-light LED fixtures are based on measurements that comply with IES LM-80-08 testing procedures. Refer to www.philipscolorkinetics.com/support/appnotes/ for more information.

§ Refer to www.philipscolorkinetics.com/support/appnotes/ for more information.

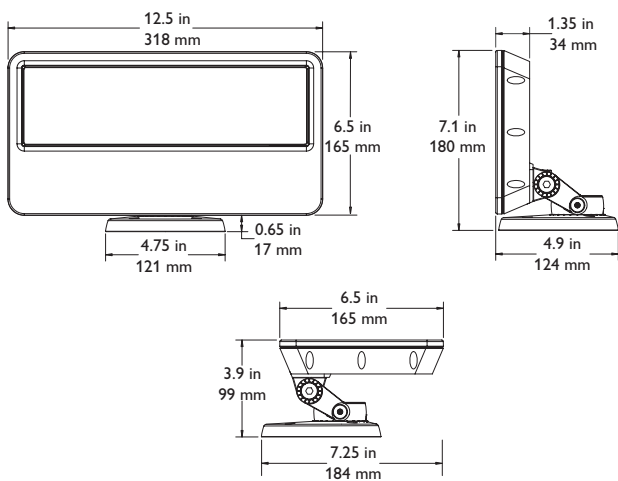


PHILIPS

Fixtures

Item	Housing Color	Lens	Item Number	Philips 12NC		
eV Blast Powercore 2700 K UL / cUL	White	10° (clear lens)	523-000069-00	910503702322		
		21° (frosted lens)	523-000069-02	910503702365		
		36° (frosted lens)	523-000069-04	910503702367		
		83° (no optic)	523-000069-06	910503702369		
		10° (clear lens)	523-000069-01	910503702364		
	Black	21° (frosted lens)	523-000069-03	910503702366		
		36° (frosted lens)	523-000069-05	910503702368		
		83° (no optic)	523-000069-07	910503702370		
		eV Blast Powercore 4000 K UL / cUL	White	10° (clear lens)	523-000069-08	910503702371
				21° (frosted lens)	523-000069-10	910503702373
36° (frosted lens)	523-000069-12			910503702375		
83° (no optic)	523-000069-14			910503702377		
10° (clear lens)	523-000069-09			910503702372		
Black	21° (frosted lens)		523-000069-11	910503702374		
	36° (frosted lens)		523-000069-13	910503702376		
	83° (no optic)		523-000069-15	910503702378		
	eV Blast Powercore 2700 K CE / CQC		White	10° (clear lens)	523-000069-16	910503702379
				21° (frosted lens)	523-000069-18	910503702381
36° (frosted lens)		523-000069-20		910503702383		
83° (no optic)		523-000069-22		910503702385		
10° (clear lens)		523-000069-17		910503702380		
Black		21° (frosted lens)	523-000069-19	910503702382		
		36° (frosted lens)	523-000069-21	910503702384		
		83° (no optic)	523-000069-23	910503702386		
		eV Blast Powercore 4000 K CE / CQC	White	10° (clear lens)	523-000069-24	910503702387
				21° (frosted lens)	523-000069-26	910503702389
36° (frosted lens)	523-000069-28			910503702391		
83° (no optic)	523-000069-30			910503702393		
10° (clear lens)	523-000069-25			910503702388		
Black	21° (frosted lens)		523-000069-27	910503702390		
	36° (frosted lens)		523-000069-29	910503702392		
	83° (no optic)		523-000069-31	910503702394		

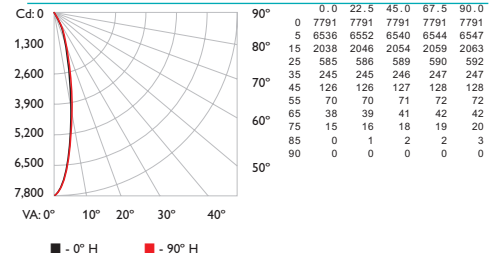
Use Item Number when ordering in North America.



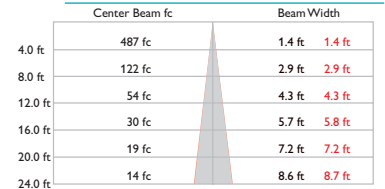
Photometrics

2700 K, 21° frosted lens

Polar Candela Distribution



Illuminance at Distance



88.3 ft (26.9 m) 1 fc maximum distance

Vert. Spread: 20.3°
Horiz. Spread: 20.5°

Lumens	1786
Efficacy	38.2 lm/W

For lux multiply fc by 10.7

Accessories

* Intended for use with Blast fixtures with 10° clear lens

Item	Type	Item Number	Philips 12NC
Accessory Holders	White	120-000070-00	910503702864
	Black	120-000070-01	910503702863
Top Hats	White	120-000005-03	910503702847
	Black	120-000005-04	910503702848
Half Top Hats	White	120-000009-03	910503702843
	Black	120-000009-04	910503702844
Egg Crate Louvers	White	120-000015-03	910503702851
	Black	120-000015-04	910503702852
Barndoors	White	120-000019-03	910503702855
	Black	120-000019-04	910503702856
Horizontal Glass Spread Lens*	36° (ribs out) 50° (ribs in)	120-000025-00	910503703897
Horizontal / Vertical Glass Spread Lens*	40°	120-000025-01	910503703898

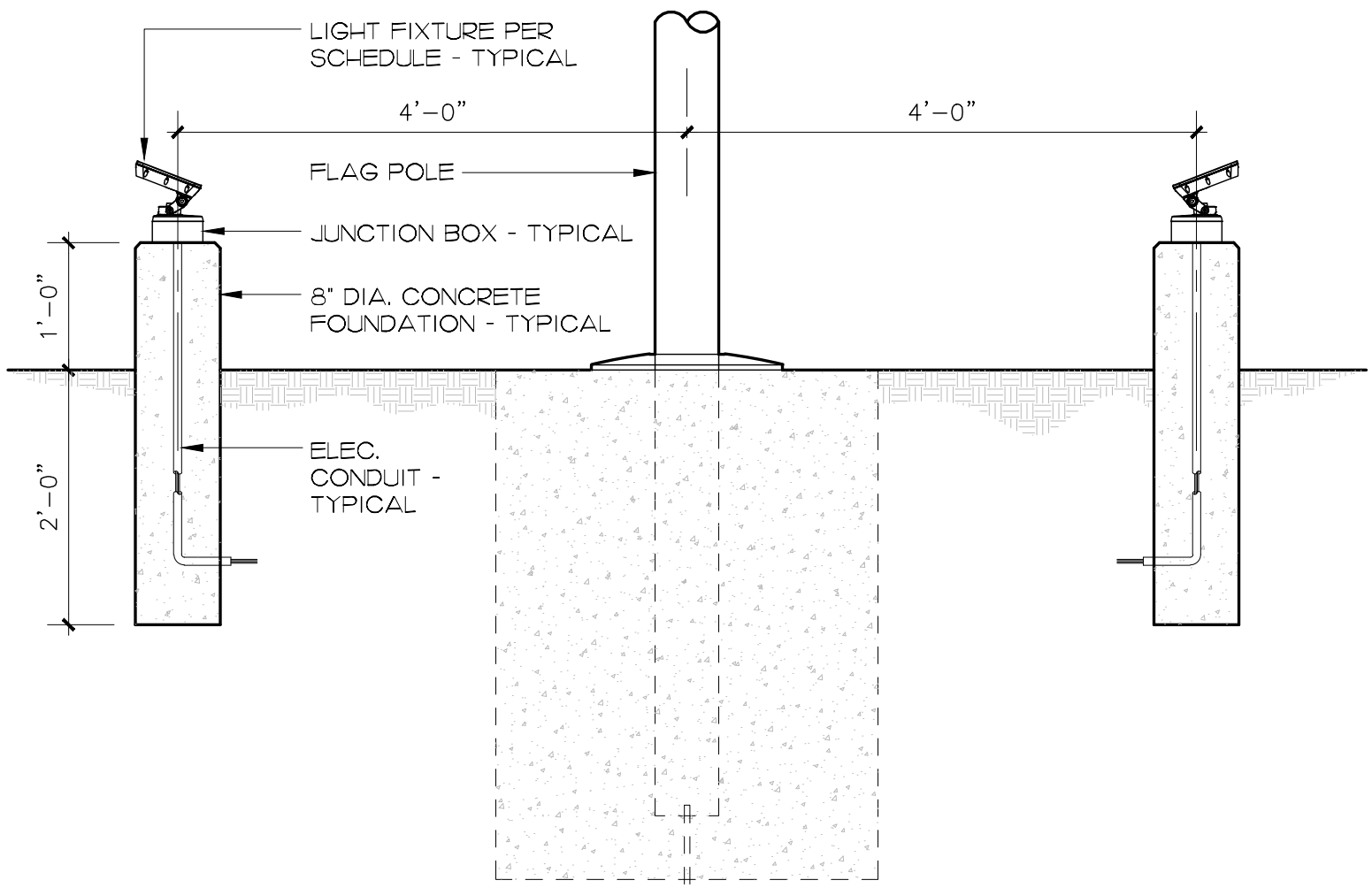
Use Item Number when ordering in North America.

OPTIBIN® | POWERCORE® | DIMAND®
CK TECHNOLOGY | CK TECHNOLOGY | CK TECHNOLOGY

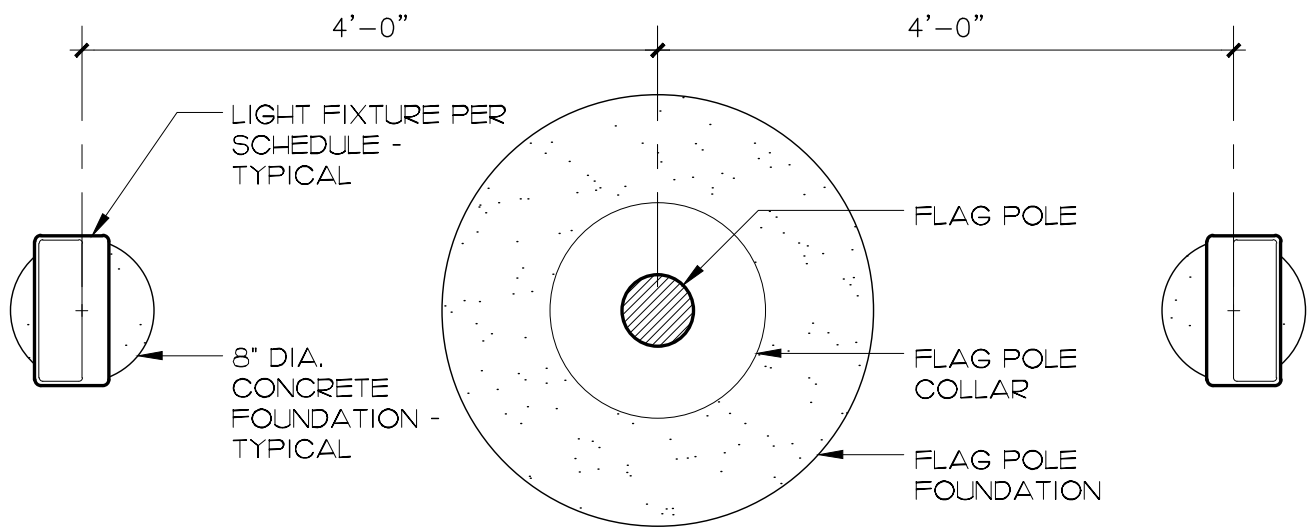


Philips Color Kinetics
3 Burlington Woods Drive
Burlington, Massachusetts 01803 USA
Tel 888.385.5742
Tel 617.423.9999
Fax 617.423.9998
www.philipscolorkinetics.com

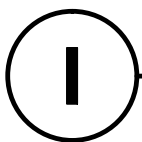
Copyright © 2008 – 2012 Philips Solid-State Lighting Solutions, Inc. All rights reserved.
Chromacore, Chromasic, CK, the CK logo, Color Kinetics, the Color Kinetics logo, ColorBlast, ColorBlaze, ColorBurst, eW Fuse, ColorGraze, ColorPlay, ColorReach, iW Reach, eW Reach, DIMand, EssentialWhite, eW, iColor, iColor Cove, IntelliWhite, iW, iPlayer, Optibin, and Powercore are either registered trademarks or trademarks of Philips Solid-State Lighting Solutions, Inc. in the United States and / or other countries. All other brand or product names are trademarks or registered trademarks of their respective owners. Due to continuous improvements and innovations, specifications may change without notice. DAS-000024-02 R09 07-12



SECTION VIEW



PLAN VIEW



FLAG POLE ILLUMINATION

3/4" = 1'-0"

FEATURES

OPTICAL SYSTEM

- Aluminum upper reflector coated with highly reflective white paint provides high efficiency.
- Available with tempered prismatic lens (T73), flat Fresnel lens (FFL) or flat opal lens (FOL).
- Regressed door (RW) or stepped black baffle (SB) are available.
- Door is retained by two self-aligning, torsion support springs.

HOUSING

- Heavy-gauge aluminum housing with integral bottom deck for clean appearance. Matte white textured polyester powder paint finish standard.
- Reveal on standard ceiling and optional pendant mount give floating luminaire appearance.

MOUNTING

- Ceiling mount (standard), wall mount or pendant mount available.

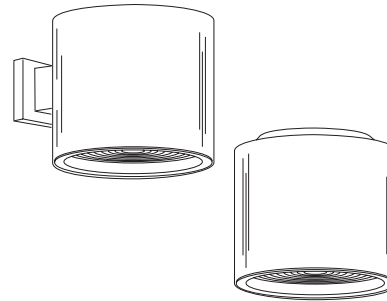
ELECTRICAL SYSTEM

- Horizontally-mounted, four-pin positive-latch thermoplastic socket.
- Class P, thermally-protected, high-power factor electronic ballast.

LISTINGS

- Fixtures are UL Listed for wet locations. Wall and pendant mounted options are UL Listed for wet location in non-covered ceiling installations. Listed and labeled to comply with Canadian Standards.

Type Catalog number

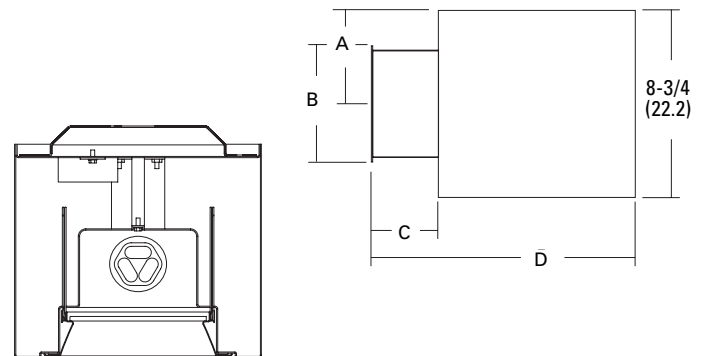


Compact Fluorescent Cylinders

10" CFL

Lensed Cylinders Wet Location

Horizontal Lamp
Double-Twin-Tube (DTT)
Triple-Tube (TRT)



Reflector Aperture: 6 (15.2)
Housing Diameter: 9-3/4 (24.8)

A = 4-5/8 (11.7)
B = 5-5/16 (13.5)
C = 3-1/4 (8.3)
D = 13 (33.0)
Wall Mount Dimensions

All dimensions
are in inches
(centimeters).

ORDERING INFORMATION

Example: **CFL10 1/32TRT 6RW T73 MVOLT DWHG**

Choose the boldface catalog nomenclature that best suits your needs and write it on the appropriate line.
Order accessories as separate catalog numbers (shipped separately).

CFL10

Series	Wattage/Lamp	Door frame	Shielding	Voltage	Ballast	Options
CFL10	1/26DTT¹ 1/26TRT 1/32TRT 1/42TRT	6RW Regressed door 6SB Stepped black baffle	T73 Tempered prismatic lens FFL Flat Fresnel lens FOL Flat opal lens	120 277 347 MVOLT²	(blank) Electronic ballast (standard) ECOS EcoSystem electronic dimming ballast. Minimum dimming level 5%. ADEZ³ Advance Mark 10 [®] electronic dimming ballast	Mounting WM Wall mount PM⁴ Pendant 3/8" thread mount Housing Color DWHG Matte White (standard) DDB Dark Bronze DBL Black DNA Natural Aluminum DWH Gloss White DTG Tennis Green DGC Charcoal Grey DSS Sandstone

NOTES

- 1 Requires four-pin lamp, ships as a TRT fixture.
- 2 Multi-volt electronic ballast capable of operating on any line voltage from 120V through 277V, 50 or 60 Hz.
- 3 Available in 120V or 277V only.
- 4 Stem not included. Not available with dimming ballast.
- 5 For use on pendant mount (PM) only. Specify length of stem (from 6" to 48" in 6" increments). Ex. CYS06 DWHG. **Consult factory for exterior use.** Stem and cylinder color will match when ordered on the same line.

Accessories

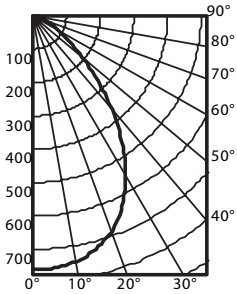
Shipped Separately.

- CYS⁵** 3/8" stem and canopy with 5° "hang straight" swivel.
- CRS⁵** 3/8" stem and canopy with 45° swivel.
- nSP5 D** Sensor Switch nLight™ 0-10V dimming relay. Requires additional nLight bus power supply.

10" CFL Lensed Cylinders

Distribution curve	Distribution data	Output data	Coefficient of utilization	Single luminaire data 30" above floor
--------------------	-------------------	-------------	----------------------------	---------------------------------------

CFL10 1/32TRT 6RW T73, 32TRT lamp, 1.1 s/mh, 2400 rated lumens, Test no. LTL14212

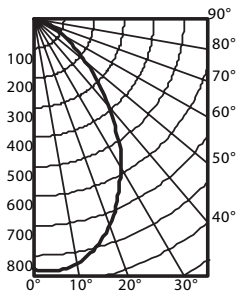


From 0°	Ave	Lumens	Zone	Lumens	% Lamp
0	760		0° - 30°	562.1	23.4
5	758	72	0° - 40°	848.1	35.3
15	724	203	0° - 60°	1176.6	49.0
25	627	287	0° - 90°	1271.4	53.0
35	460	286	90° - 180°	0.0	0.0
45	270	209	0° - 180°	1271.4	*53.0
55	130	119			*E efficiency
65	62	62			
75	23	26			
85	6	6			
90	0				

pf	80%		20%		50%	
	50%	30%	50%	30%	50%	30%
pc						
pw						
1	.57	.55	.56	.54	.54	.52
2	.52	.49	.51	.48	.49	.47
3	.47	.43	.46	.43	.44	.42
4	.42	.39	.42	.38	.40	.37
5	.39	.35	.38	.34	.37	.34
6	.35	.31	.35	.31	.34	.31
7	.33	.29	.32	.28	.31	.28
8	.30	.26	.30	.26	.29	.26
9	.28	.24	.28	.24	.27	.24
10	.26	.22	.26	.22	.25	.22

Mount height	Initial fc		50% beam angle		10% beam angle	
	at beam center	Beam diameter	fc at beam edge	Beam diameter	fc at beam edge	Beam diameter
8	25.1	6.1	12.6	11.7	2.5	
10	13.5	8.3	6.8	16.0	1.4	
12	8.4	10.5	4.2	20.3	0.8	
14	5.7	12.7	2.9	24.6	0.6	
16	4.2	14.9	2.1	28.8	0.4	

CFL10 1/32TRT 6RW FFL, 32TRT lamp, 1.1 s/mh, 2400 rated lumens, Test no. LTL14213



From 0°	Ave	Lumens	Zone	Lumens	% Lamp
0	848		0° - 30°	608.8	25.4
5	855	81	0° - 40°	911.3	38.0
15	800	224	0° - 60°	1288.2	53.7
25	661	304	0° - 90°	1410.0	58.7
35	487	303	90° - 180°	0.0	0.0
45	296	229	0° - 180°	1410.0	*58.7
55	163	148			*E efficiency
65	82	82			
75	30	33			
85	7	8			
90	0				

pf	80%		20%		50%	
	50%	30%	50%	30%	50%	30%
pc						
pw						
1	.63	.61	.62	.60	.59	.58
2	.57	.54	.56	.53	.54	.51
3	.51	.47	.50	.47	.49	.46
4	.47	.42	.46	.42	.44	.41
5	.42	.38	.42	.38	.41	.37
6	.39	.34	.38	.34	.37	.34
7	.36	.31	.35	.31	.34	.31
8	.33	.29	.33	.28	.32	.28
9	.31	.26	.30	.26	.30	.26
10	.29	.24	.28	.24	.28	.24

Mount height	Initial fc		50% beam angle		10% beam angle	
	at beam center	Beam diameter	fc at beam edge	Beam diameter	fc at beam edge	Beam diameter
8	28.0	5.8	14.0	11.8	2.8	
10	15.1	7.9	7.5	16.1	1.5	
12	9.4	10.1	4.7	20.4	0.9	
14	6.4	12.2	3.2	24.7	0.6	
16	4.7	14.3	2.3	28.9	0.5	

NOTES:

- For electrical characteristics consult Technical Bulletins tab.
- Tested to current IES and NEMA standards under stabilized laboratory conditions. Various operating factors can cause differences between laboratory data and actual field measurements. Dimensions and specifications are based on the most current available data and are subject to change without notice.

SCF-180

©2006 Gotham, Rev. 01/06
SCF-180.P65

gotham
An Acuity Brands Company

GOTHAM ARCHITECTURAL DOWNLIGHTING
A DIVISION OF ACUITY LIGHTING GROUP, INC.
1400 Lester Road Conyers Georgia 30012
P 800 315 4982 F 770 860 3129
www.gothamlighting.com

FEATURES

OPTICAL SYSTEM

- Self-flanged, semi-specular or matte-diffuse reflector. Patented Vertisys-Bounding Ray™ Optical Principle design (US Patent #5,800,050) provides lamp before lamp image. Lamp image that reflects smoothly from the top of the reflector to the aperture, providing optimal fixture performance and efficiency.

MECHANICAL SYSTEM

- 16-gauge galvanized steel mounting/plaster frame with integral yoke and flat spring to retain optical system. Maximum 1-5/8" ceiling thickness
- 16-gauge galvanized steel mounting bars with continuous 4" vertical adjustment are shipped pre-installed. Post installation adjustment possible without the use of tools from above or below the ceiling.
- Galvanized steel junction box with bottom-hinged access covers and spring latch. Two combination 1/2"-3/4" and three 1/2" knockouts for straight-through conduit runs. Capacity: 8 (4 in, 4 out) No. 12 AWG conductors rated for 90°C.

ELECTRICAL SYSTEM

- Rugged aluminum lampholder housing.
- Vertically-mounted, positive-latch, thermoplastic socket.
- Class P, thermally-protected, high power factor ballast mounted to the junction box.
- Simply5™ technology available. **SIMPLY5™** LIGHTING INTELLIGENCE

LISTING

- Fixtures are UL Listed for thru-branch wiring, Non-IC recessed mounting and damp locations. Listed and labeled to comply with Canadian Standards.

Type

OH

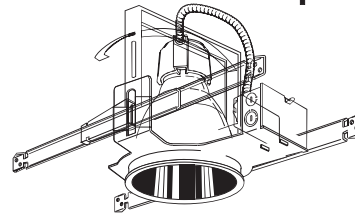
Catalog number

AFV-26TRT-4ARLD-MVOLT

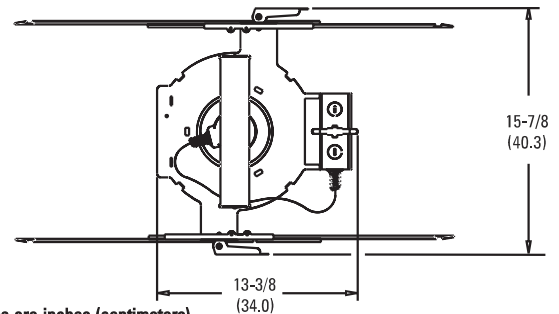
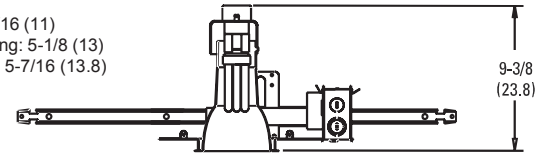
Compact Fluorescent Downlights

4" AFV

Open Reflector
Vertical
Triple-Tube Lamp



Aperture: 4-5/16 (11)
Ceiling Opening: 5-1/8 (13)
Overlap Trim: 5-7/16 (13.8)



All dimensions are inches (centimeters)

ORDERING INFORMATION

Choose the boldface catalog nomenclature that best suits your needs and write it on the appropriate line. Order accessories as separate catalog numbers (shipped separately).

Example: **AFV 26TRT 4AR MVOLT WLP**

AFV									
Series	Wattage/ Lamp	Aperture/ Trim color	Finish	Voltage	Ballast ³	Options			
AFV	18TRT 26TRT 32TRT	4AR Clear 4PR Pewter 4UBR Umber 4WTR Wheat 4MB¹ Black baffle 4WB¹ White baffle	(blank) Semi-specular LD Matte-diffuse	MVOLT² 120 277 347	(blank) Electronic ballast DMHL⁴ Lutron Compact SE™ electronic dimming ballast. Minimum dimming level 5% ADEZ⁴ Advance Mark 10® electronic ballast. Minimum dimming level 5% S5⁵ SIMPLY5™ system ballast	ELR⁶ Emergency battery pack with remote test switch ELRHL⁶ High lumen output emergency battery pack with remote test switch GMF⁷ Single, slow-blow fuse GLR⁷ Single, fast-blow fuse TRW White painted flange (standard on MB and WB) TRBL Black painted flange GSKT Foam gasketing WLP 3500°K lamp (shipped separately) LRC⁸ Provides compatibility with Lithonia Reloc® wiring system; access above ceiling required CP⁹ Chicago plenum BDP¹⁰ Ballast disconnect plug HW Hardwire for S5 system; replaces Reloc			

NOTES:

- 1 Not available with finishes.
- 2 Multi-volt electronic ballast capable of operating on any line voltage from 120V through 277V, 50 or 60Hz.
- 3 For additional ballast types, refer to Technical Bulletins tab.
- 4 120V or 277V only.
- 5 SIMPLY5 includes 9' S5 MLC Reloc wiring system (shipped separately). Available in 26W or 32W; 120V or 277V only. See simply5.net for more information.
- 6 For dimensional changes, refer to Technical Bulletins tab.
- 7 Not available with MVOLT.
- 8 For compatible Reloc systems, refer to Technical Bulletins tab.
- 9 Not available with ELR or ELRHL options.
- 10 Meets codes that require in-fixture disconnect.

Accessories

Order as separate catalog numbers.

SCA4 Sloped ceiling adapter. Degree of slope must be specified (10D, 15D, 20D, 25D, 30D). Ex: SCA4 10D

FEATURES

OPTICAL SYSTEM

- Self-flanged, semi-specular or matte-diffuse reflector. Patented Vertisys-Bounding Ray™ Optical Principle design (US Patent #5,800,050) provides lamp before lamp image. Lamp image that reflects smoothly from the top of the reflector to the aperture, providing optimal fixture performance and efficiency.

MECHANICAL SYSTEM

- 16-gauge galvanized steel mounting/plaster frame with integral yoke and flat spring to retain optical system. Maximum 1-5/8" ceiling thickness
- 16-gauge galvanized steel mounting bars with continuous 4" vertical adjustment are shipped pre-installed. Post installation adjustment possible without the use of tools from above or below the ceiling.
- Galvanized steel junction box with bottom-hinged access covers and spring latch. Two combination 1/2"-3/4" and three 1/2" knockouts for straight-through conduit runs. Capacity: 8 (4 in, 4 out) No. 12 AWG conductors rated for 90°C.

ELECTRICAL SYSTEM

- Rugged aluminum lampholder housing.
- Vertically-mounted, positive-latch, thermoplastic socket.
- Class P, thermally-protected, high power factor ballast mounted to the junction box.
- Simply5™ technology available. SIMPLY5™ LIGHTING BY INTELLECTUAL

LISTING

- Fixtures are UL Listed for thru-branch wiring, Non-IC recessed mounting and damp locations. Listed and labeled to comply with Canadian Standards.

Type

OH

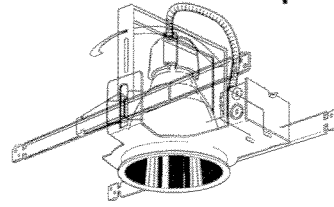
Catalog number

AFV-26TRT-4ARLD-MVOLT

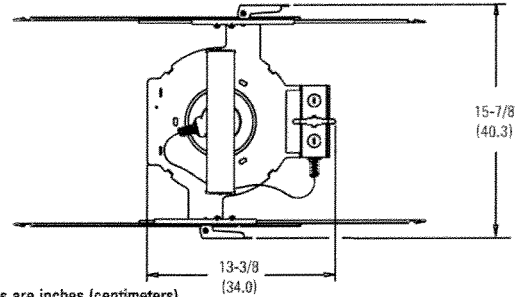
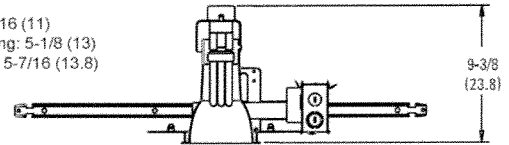
Compact Fluorescent Downlights

4" AFV

Open Reflector
Vertical
Triple-Tube Lamp



Aperture: 4-5/16 (11)
Ceiling Opening: 5-1/8 (13)
Overlap Trim: 5-7/16 (13.8)



All dimensions are inches (centimeters)

ORDERING INFORMATION

Choose the boldface catalog nomenclature that best suits your needs and write it on the appropriate line. Order accessories as separate catalog numbers (shipped separately).

Example: **AFV 26TRT 4AR MVOLT WLP**

AFV		Ballast ⁹		Options		
Series	Wattage/ Lamp	Aperture/ Trim color	Finish	Voltage		
AFV	18TRT	4AR Clear	(blank) Semi-specular	MVOLT²	(blank) Electronic ballast	ELR⁶ Emergency battery pack with remote test switch
	26TRT	4PR Pewter	LD Matte-diffuse	120	DMHL⁴ Lutron Compact SE™ electronic dimming ballast. Minimum dimming level 5%	ELRHL⁶ High lumen output emergency battery pack with remote test switch
	32TRT	4UBR Umber		277	ADEZ⁴ Advance Mark 10® electronic ballast. Minimum dimming level 5%	GMF⁷ Single, slow-blow fuse
		4WTR Wheat		347	S5⁵ SIMPLY5™ system ballast	GLR⁷ Single, fast-blow fuse
		4MB¹ Black baffle				TRW White painted flange (standard on MB and WB)
		4WB¹ White baffle				TRBL Black painted flange
NOTES:						GSKT Foam gasketing
1 Not available with finishes.						WLP 3500°K lamp (shipped separately)
2 Multi-volt electronic ballast capable of operating on any line voltage from 120V through 277V, 50 or 60Hz.						LRC⁸ Provides compatibility with Lithonia Reloc® wiring system; access above ceiling required
3 For additional ballast types, refer to Technical Bulletins tab.						CP⁹ Chicago plenum
4 120V or 277V only.						BDP¹⁰ Ballast disconnect plug
5 SIMPLY5 includes 9' S5 MLC Reloc wiring system (shipped separately). Available in 26W or 32W; 120V or 277V only. See simply5.net for more information.						HW Hardwire for S5 system; replaces Reloc
6 For dimensional changes, refer to Technical Bulletins tab.						
7 Not available with MVOLT.						
8 For compatible Reloc systems, refer to Technical Bulletins tab.						
9 Not available with ELR or ELRHL options.						
10 Meets codes that require in-fixture disconnect.						
Accessories						
Order as separate catalog numbers.						
SCA4 Sloped ceiling adapter. Degree of slope must be specified (10D, 15D, 20D, 25D, 30D). Ex: SCA4 10D						

Wall luminaires · surface washers

Housing: One piece, die cast aluminum housing with adjustable die cast arm and mounting canopy. Fixture tilt angle is adjustable from -30° to 90° in steps of 10°. The mounting canopy is supplied with a round, die cast aluminum rotational plate which allows the housing to be precisely leveled or rotated after installation. Mounting plate attaches directly to a standard 4" octagonal wiring box. Can be mounted in upward facing orientation. Die castings are marine grade, copper free ($\leq 0.3\%$ copper content) A360.0 aluminum alloy.

Enclosure: Clear tempered glass with a machined step to provide a flush finish with the door frame. Reflector is anodized aluminum with an optically textured glass insert to provide an even distribution of light from the LED source. The door frame is die cast aluminum with mechanically captive, stainless steel screws threaded into stainless steel inserts. The door is tethered to the housing with two safety cables. One piece, molded silicone gasket for use in wet locations mounted in any orientation.

Electrical: 50.4W LED luminaire, 57 total system watts, -30°C start temperature. Integral 120V through 277V electronic LED driver, 0-10V dimming. LED module(s) are available from factory for easy replacement. Standard LED color temperature is 4000K with an 85 CRI. Available in 3000K (85 CRI); add suffix K3 to order.

Note: LEDs supplied with luminaire. Due to the dynamic nature of LED technology, LED luminaire data on this sheet is subject to change at the discretion of BEGA-US. For the most current technical data, please refer to www.bega-us.com.

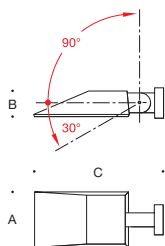
Finish: All BEGA standard finishes are polyester powder coat with minimum 3 mil thickness. Available in four standard BEGA colors: Black (BLK); White (WHT); Bronze (BRZ); Silver (SLV). To specify, add appropriate suffix to catalog number. Custom colors supplied on special order.

CSA certified to U.S. and Canadian standards, suitable for wet locations. Protection class IP65

Weight: 11.0 lbs.

Luminaire Lumens: 4366 lumens

Type:
 BEGA Product:
 Project:
 Voltage:
 Color:
 Options:
 Modified:



Lamp	A	B	C
66851 50.4W LED	8 ⁷ / ₈	4	19 ¹ / ₄



FEATURES & SPECIFICATIONS

INTENDED USE — Square straight steel pole for up to 39-foot mounting height.

CONSTRUCTION — Weldable-grade, hot-rolled, commercial-quality carbon steel tubing with a minimum yield of 55,000 psi (11-gauge), or 50,000 psi (7-gauge). Uniform wall thickness of .1196" or .1793". Shaft is one-piece with a full-length longitudinal high-frequency electric resistance weld. Uniformly square in cross-section with flat sides, small corner radii and excellent torsional qualities. Available shaft widths are 4, 5 and 6 inches.

Anchor base is fabricated from hot-rolled carbon steel plate conforming to ASTM A36, that meets or exceeds a minimum-yield strength of 36,000 psi. Base plate and shaft are circumferentially welded top and bottom. Base cover is finished to match pole.

A handhole having nominal dimensions of 3" x 5" for all shafts. Included is a cover with attachment screws.

Top cap provided with all drill-mount and open top "PT" poles.

Fasteners are high-strength galvanized, zinc-plated or stainless steel.

Finish: Must specify finish.

Grounding: Provision located immediately inside handhole rim. Grounding hardware is not included (provided by others).

Anchor bolts: Top portion of anchor bolt is galvanized per ASTM A-153. Made of steel rod having a minimum yield strength of 55,000 psi.

Note: Specifications subject to change without notice.

Actual performance may differ as a result of end-user environment and application.

Catalog Number
Notes
Type



Anchor Base Poles

SSS

SQUARE STRAIGHT STEEL

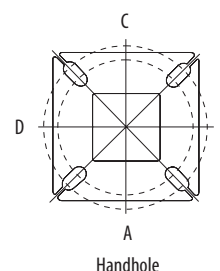
ORDERING INFORMATION Lead times will vary depending on options selected. Consult with your sales representative. **Example:** SSS 20 5C DM19 DDB

SSS Series	Nominal fixture mounting height	Nominal shaft base size/wall thickness	Mounting ¹	Options	Finish ¹⁰	
SSS	10 – 39 feet (See back page.)	(See back page.)	<p><u>Tenon mounting</u></p> <p>PT Open top (includes top cap)</p> <p>T20 2-3/8" O.D. (2" NPS)</p> <p>T25 2-7/8" O.D. (2-1/2" NPS)</p> <p>T30 3-1/2" O.D. (3" NPS)</p> <p>T35 4" O.D. (3-1/2" NPS)</p> <p><u>Drill mounting²</u></p> <p>DM19 1 at 90°</p> <p>DM28 2 at 180°</p> <p>DM28 PL 2 at 180° with one side plugged</p> <p>DM29 2 at 90°</p> <p>DM39 3 at 90°</p> <p>DM49 4 at 90°</p> <p><u>CSX/DSX/AERIS™/OMERO™ Drill mounting²</u></p> <p>DM19AS 1 at 90°</p> <p>DM28AS 2 at 180°</p> <p>DM29AS 2 at 90°</p> <p>DM39AS 3 at 90°</p> <p>DM49AS 4 at 90°</p>	<p><u>AERIS™ Suspend drill mounting^{2,3}</u></p> <p>DM19AST_ 1 at 90°</p> <p>DM28AST_ 2 at 180°</p> <p>DM29AST_ 2 at 90°</p> <p>DM39AST_ 3 at 90°</p> <p>DM49AST_ 4 at 90°</p> <p><u>OMERO™ Suspend drill mounting^{2,3}</u></p> <p>DM19MRT_ 1 at 90°</p> <p>DM28MRT_ 2 at 180°</p> <p>DM29MRT_ 2 at 90°</p> <p>DM39MRT_ 3 at 90°</p> <p>DM49MRT_ 4 at 90°</p>	<p><u>Shipped installed</u></p> <p>L/AB Less anchor bolts</p> <p>VD Vibration damper</p> <p>TP Tamper proof</p> <p>H1-18Sxx Horizontal arm bracket (1 fixture)^{4,5}</p> <p>FDLxx Festoon outlet less electrical⁴</p> <p>CPL12xx 1/2" coupling⁴</p> <p>CPL34xx 3/4" coupling⁴</p> <p>CPL1xx 1" coupling⁴</p> <p>NPL12xx 1/2" threaded nipple⁴</p> <p>NPL34xx 3/4" threaded nipple⁴</p> <p>NPL1xx 1" threaded nipple⁴</p> <p>EHHxx Extra handhole^{4,6}</p> <p>MAEX Match existing⁷</p> <p>USPOM United States point of manufacture⁸</p> <p>IC Interior coating⁹</p>	<p><u>Standard colors</u></p> <p>DDB Dark bronze</p> <p>DWH White</p> <p>DBL Black</p> <p>DMB Medium bronze</p> <p>DNA Natural aluminum</p> <p><u>Classic colors</u></p> <p>DSS Sandstone</p> <p>DGC Charcoal gray</p> <p>DTG Tennis green</p> <p>DBR Bright red</p> <p>DSB Steel blue</p> <p><u>Architectural colors (powder finish)¹⁰</u></p>

NOTES:

- PT open top poles include top cap. When ordering tenon mounting and drill mounting for the same pole, follow this example: DM28/T20. The combination includes a required extra handhole.
- The drilling template to be used for a particular luminaire depends on the luminaire that is used. Refer to the Technical Data Section of the Outdoor Binder for Drilling Templates.
- Insert "1" or "2" to designate fixture size; e.g. DM19AST2.
- Specify location and orientation when ordering option.
For 1st "x": Specify the height in feet above base of pole.
Example: 5ft = 5 and 20ft = 20
For 2nd "x": Specify orientation from handhole (A,B,C,D)
Refer to the Handhole Orientation diagram above.
- Horizontal arm is 18" x 2-3/8" O.D. tenon standard.
- Combination of tenon-top and drill mount includes extra handhole.
- Must add original order number
- Use when mill certifications are required.
- Provides enhanced corrosion resistance.
- Additional colors available; see www.lithonia.com/archcolors or Architectural Colors brochure (Form No. 794.3). Powder finish standard.

HANDHOLE ORIENTATION



IMPORTANT INSTALLATION NOTES:

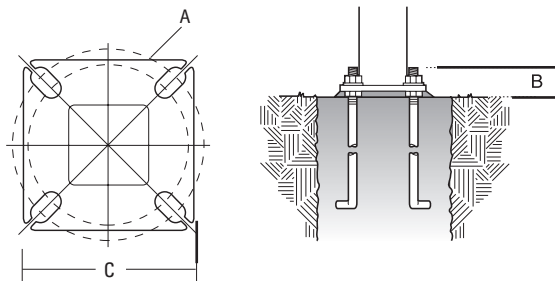
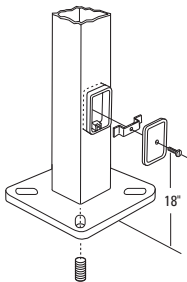
- Do not erect poles without having fixtures installed.
- Factory-supplied templates must be used when setting anchor bolts. Lithonia Lighting will not accept claim for incorrect anchorage placement due to failure to use Lithonia Lighting factory templates.
- If poles are stored outside, all protective wrapping must be removed immediately upon delivery to prevent finish damage.
- Lithonia Lighting is not responsible for the foundation design.

SSS Square Straight Steel Poles

TECHNICAL INFORMATION

Catalog Number	Nominal mount ht. (ft)	Pole Shaft Size (in x ft)	Wall Thickness (in)	Gauge	EPA (ft ²) with 1.3 gust						Bolt Circle (in)	Bolt Size (in x in x in)	Approximate ship (lbs)
					80 mph	Max. weight	90 mph	Max. weight	100 mph	Max. weight			
SSS 10 4C	10	4.0 x 10.0	0.1196	11	30.6	765	23.8	595	18.9	473	8--9	3/4 x 18 x 3	75
SSS 12 4C	12	4.0 x 12.0	0.1196	11	24.4	610	18.8	470	14.8	370	8--9	3/4 x 18 x 3	90
SSS 14 4C	14	4.0 x 14.0	0.1196	11	19.9	498	15.1	378	11.7	293	8--9	3/4 x 18 x 3	100
SSS 16 4C	16	4.0 x 16.0	0.1196	11	15.9	398	11.8	295	8.9	223	8--9	3/4 x 18 x 3	115
SSS 18 4C	18	4.0 x 18.0	0.1196	11	12.6	315	9.2	230	6.7	168	8--9	3/4 x 18 x 3	125
SSS 20 4C	20	4.0 x 20.0	0.1196	11	9.6	240	6.7	167	4.5	150	8--9	3/4 x 18 x 3	140
SSS 20 4G	20	4.0 x 20.0	0.1793	7	14	350	11	275	8	200	8--9	3/4 x 30 x 3	198
SSS 20 5C	20	5.0 x 20.0	0.1196	11	17.7	443	12.7	343	9.4	235	10--12	1 x 36 x 4	185
SSS 20 5G	20	5.0 x 20.0	0.1793	7	28.1	703	21.4	535	16.2	405	10--12	1 x 36 x 4	265
SSS 25 4C	25	4.0 x 25.0	0.1196	11	4.8	150	2.6	100	1	50	8--9	3/4 x 18 x 3	170
SSS 25 4G	25	4.0 x 25.0	0.1793	7	10.8	270	7.7	188	5.4	135	8--9	3/4 x 30 x 3	245
SSS 25 5C	25	5.0 x 25.0	0.1196	11	9.8	245	6.3	157	3.7	150	10--12	1 x 36 x 4	225
SSS 25 5G	25	5.0 x 25.0	0.1793	7	18.5	463	13.3	333	9.5	238	10--12	1 x 36 x 4	360
SSS 30 4G	30	4.0 x 30.0	0.1793	7	6.7	168	4.4	110	2.6	65	8--9	3/4 x 30 x 3	295
SSS 30 5C	30	5.0 x 30.0	0.1196	11	4.7	150	2	50	--	--	10--12	1 x 36 x 4	265
SSS 30 5G	30	5.0 x 30.0	0.1793	7	10.7	267	6.7	167	3.9	100	10--12	1 x 36 x 4	380
SSS 30 6G	30	6.0 x 30.0	0.1793	7	19	475	13.2	330	9	225	11--13	1 x 36 x 4	520
SSS 35 5G	35	5.0 x 35.0	0.1793	7	5.9	150	2.5	100	--	--	10--12	1 x 36 x 4	440
SSS 35 6G	35	6.0 x 35.0	0.1793	7	12.4	310	7.6	190	4.2	105	11--13	1 x 36 x 4	540
SSS 39 6G	39	6.0 x 39.0	0.1793	7	7.2	180	3	75	--	--	11--13	1 x 36 x 4	605

BASE DETAIL



POLE DATA

Shaft base size	Bolt circle A	Bolt projection B	Base square C	Template description	Anchor bolt description	Anchor bolt and template number
4"C	8-1/2"	2-3/4"-4"	8"	ABTEMPLATE PJ50004	AB18-0	ABSSS-4C
4"G	8-1/2"	2-3/4"-4"	8"	ABTEMPLATE PJ50004	AB30-0	ABSSS-4G
5"	10"-12"	3-3/8"-4"	11"	ABTEMPLATE PJ50010	AB36-0	ABSSS-5
6"	11"-13"	3-3/8"-4"	12-1/2"	ABTEMPLATE PJ50011	AB36-0	N/A

IMPORTANT:

• These specifications are intended for general purposes only. Lithonia reserves the right to change material or design, without prior notice, in a continuing effort to upgrade its products.